

MOTOMAN MPL160 II

Palletising with the MPL-series



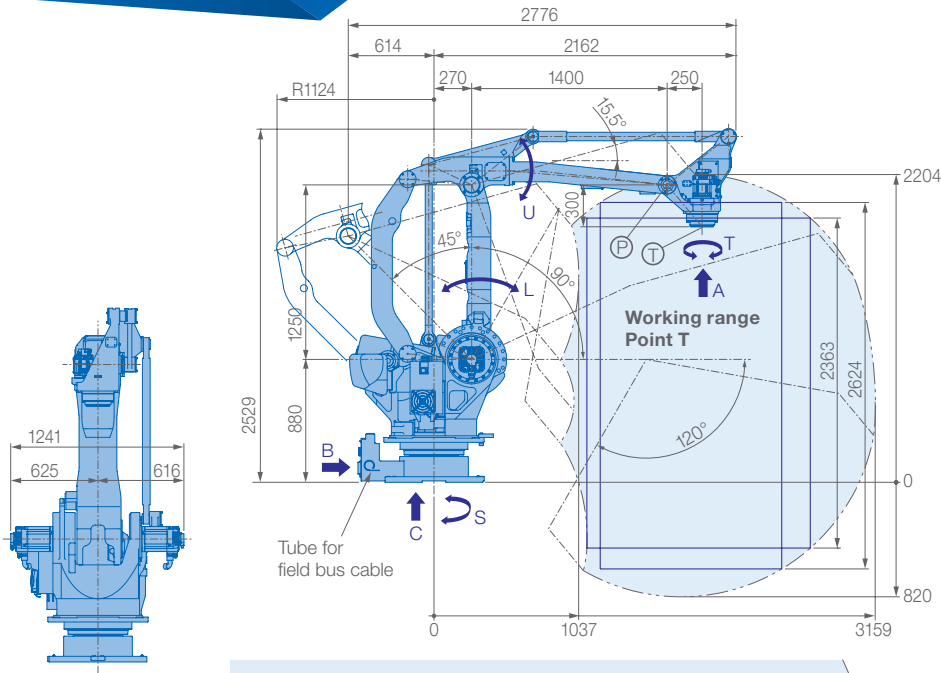
The versatile and powerful 4-axis MOTOMAN MPL160 II robot provides high performance in box palletising, case palletising and many further logistical tasks for end-of-line or distribution center automation.

Its extensive vertical reach of 3024 mm combined with 3159 mm horizontal reach enables high palletising loads. Empty tubes for internally routed airlines and cables from base to end-of-arm tool maximize system reliability.

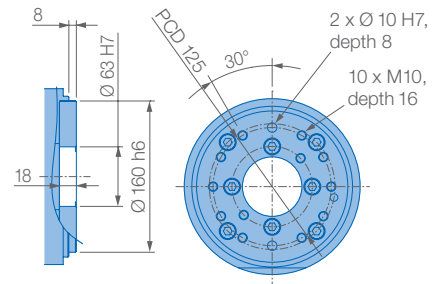
The MPL160 II is driven by the high-performance DX200 controller which is available with the optional Category 3 Functional Safety Unit (FSU), providing a variety of new safety functions.

KEY BENEFITS

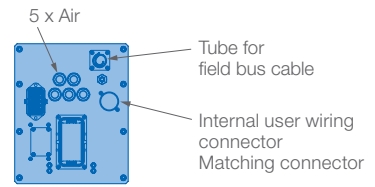
- Compact, flexible and powerful
- High acceleration and speed:
Up to 1650 cycles/h palletizing capa,
suitable for bag palletising
- High Payload: 160 kg
- Large motion range:
 - 2624 mm square reach
(on pallet 1300 x 1300 mm)
 - 2363 mm stack height
(on pallet 1600 x 1600 mm)
- Maximum reliability, empty tubes for internally routed airlines and cables
- Internally routed fieldbus connection (optional) to T-axis/tool
- Enhanced Safety Functions for DX200 Functional Safety Controller (FSU)
- Protection class IP54/67



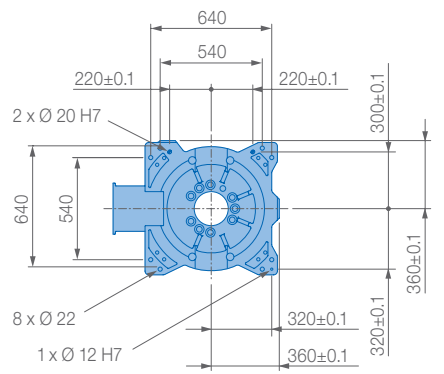
View A



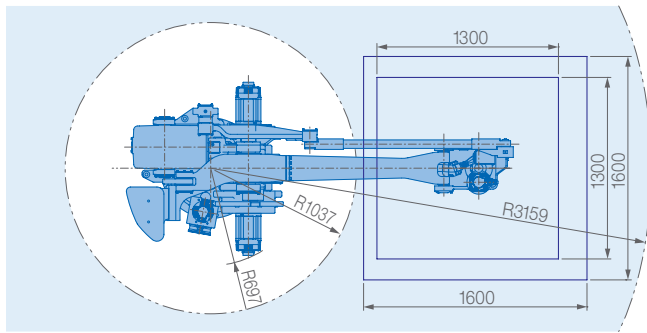
View B



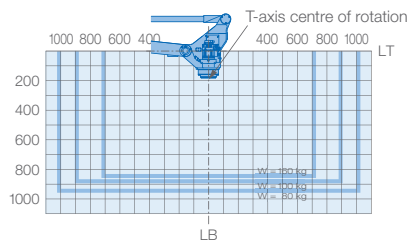
View C



Mounting option: Floor
Protection class: IP54/67



Allowable wrist load



Specifications MPL160 II						
Axes	Maximum motion range [°]	Maximum speed [°/sec.]	Allowable moment [Nm]	Allowable moment of inertia [kg · m²]	Controlled axes	4
S	±180	140	-	-	Max. payload [kg]	160
L	+90/-45	140	-	-	Repeatability [mm]	±0.5
U	+15.5/-120	140	-	-	Max. working range R [mm]	3159
R	-	-	-	-	Temperature [°C]	0 to +45
B	-	-	-	-	Humidity [%]	20 - 80
T	±360	305	-	80	Weight [kg]	1700
					Power supply, average [KVA]	9.5