

YASKAWA

MOTOMAN MYS-series

Picking, Packing & Handling
with the MYS-series

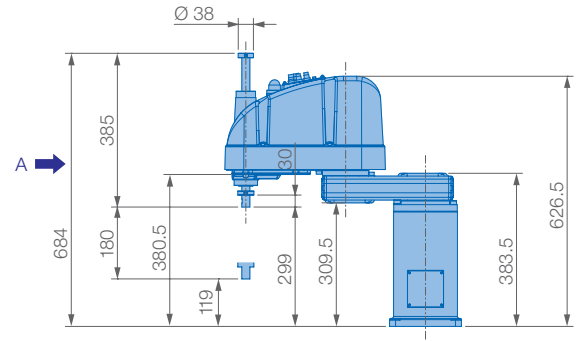
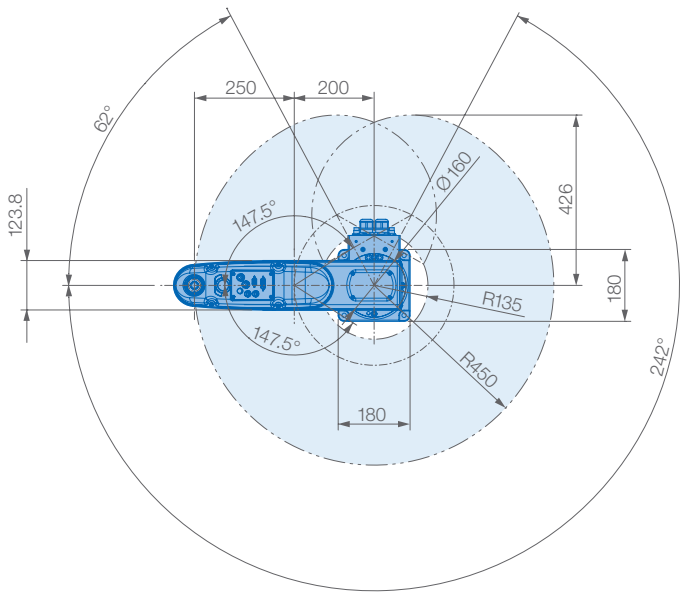


The robust Scara-robots of the MOTOMAN MYS-series feature a wide motion range due to its compact design. They are particularly suitable for application when high speed and accuracy is required, for example picking and packing, dispensing and feeding. Small interference contours allow the robots working together in confined spaces. Internal cabling enables a reliable workflow and saves extensive maintenance. These robots are driven by the high-performance MOTOMAN FS100 controller.

KEY BENEFITS

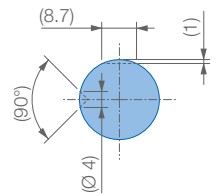
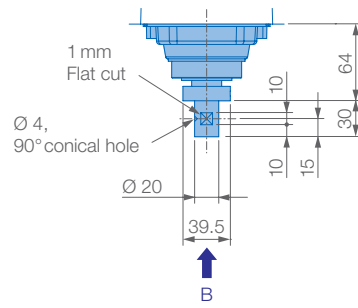
- Fast, powerful and reliable
- Wide motion range
- Compact and robust design
- Internal cabling
- High repeatability and accuracy
- Ideal for applications in confined spaces
- Easy integration and high dynamics
- Easy maintenance

MOTOMAN MYS450F



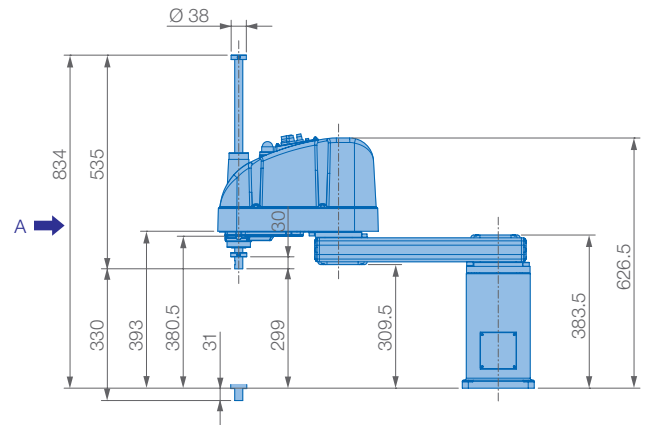
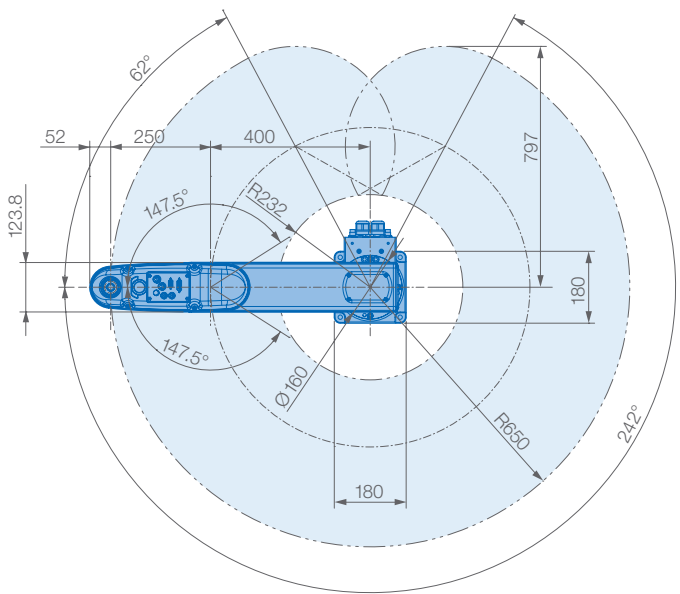
View A

View B



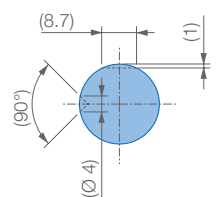
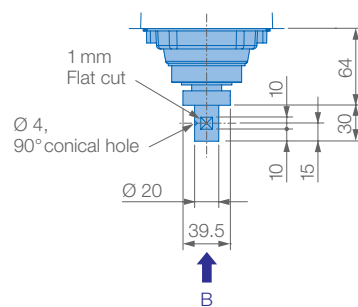
Mounting option: Floor
Protection class: IP20

MOTOMAN MYS650LF

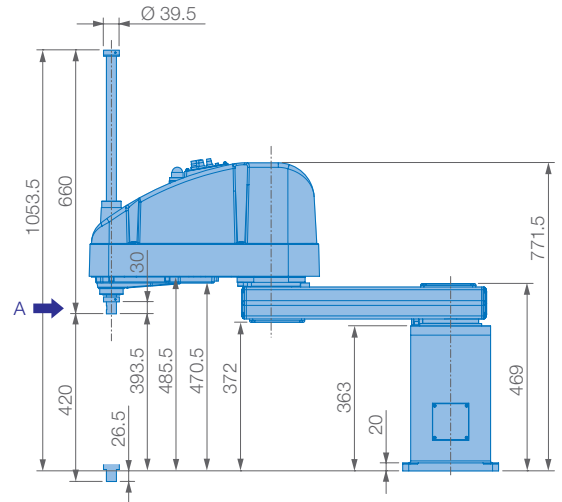
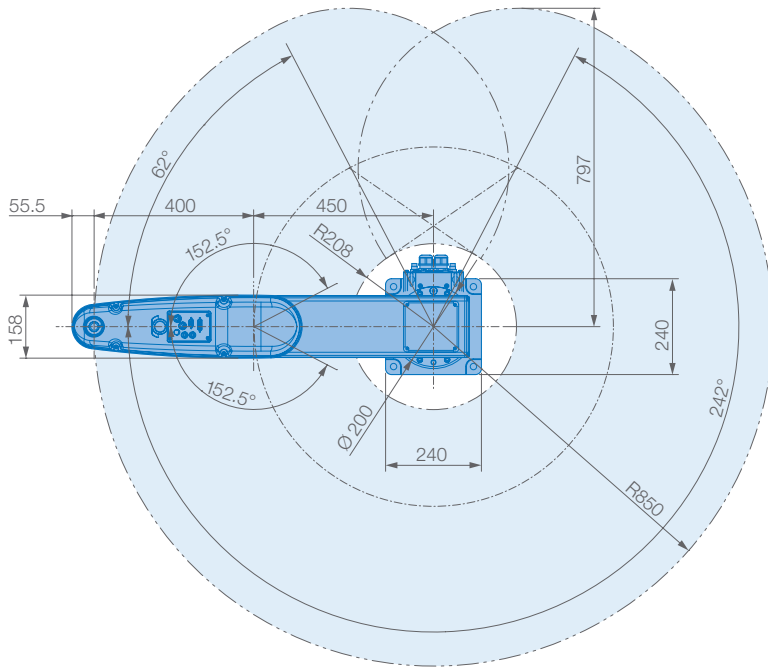


View A

View B

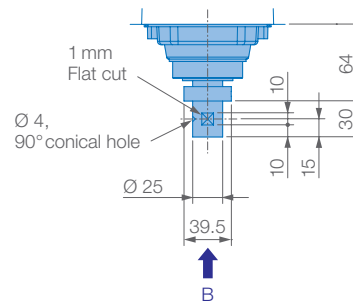


Mounting option: Floor
Protection class: IP20



View A

View B



Mounting option: Floor
Protection class: IP20



Specifications MYS-series				
Robot type		MYS450F	MYS650LF	MYS850LF
Controlled axes		4	4	4
Max. payload [kg]		6	6	10
Repeat. pos. accuracy [mm]	1. + 2. axis Z-axis U-axis	± 0.015 ± 0.010 ± 0.005	± 0.015 ± 0.010 ± 0.005	± 0.025 ± 0.010 ± 0.005
Operating distance [mm]	1. + 2. axis Z-axis	450 180	650 330	850 420
Allowable moment of inertia [kg · m ²]	U-axis [nom.] U-axis [max.]	0.01 0.12	0.01 0.12	0.02 0.25
Weight [kg]		27	27	48

YASKAWA Headquarters

YASKAWA Europe GmbH
Robotics Division
Yaskawastraße 1
85391 Allershausen, Germany
Tel. +49 (0) 8166/90-0
Fax +49 (0) 8166/90-103

YASKAWA ACADEMY and sales office Frankfurt

YASKAWA Europe GmbH
Robotics Division
Hauptstraße 185
65760 Eschborn, Germany
Tel. +49 (0) 6196/77725-0
Fax +49 (0) 6196/77725-39

YASKAWA GROUP

AT YASKAWA Austria
Schwechat/Wien
+43(0)1-707-9324-15

CZ YASKAWA Czech s.r.o.
Rudná u Prahy
+420-257-941-718

ES YASKAWA Ibérica, S.L.
Gavà/Barcelona
+34-93-6303478

FR YASKAWA France SARL
Saint-Aignan-de-Grand-Lieu
+33-2-40131919

FI YASKAWA Finland Oy
Turku +358-(0)-403000600

GB YASKAWA UK Ltd.
Banbury +44-1295-272755

IT YASKAWA Italia s.r.l.
Torino +39-011-9005833

IL YASKAWA Europe Technology Ltd.
Rosh Ha'ayin +972-3-9004114

NL YASKAWA Benelux B.V.
Son +31-40-2895500

PL YASKAWA Polska Sp. z o.o.
Wrocław +48-71-7928670

RU YASKAWA Nordic AB
Moskva +46-480-417-800

SE YASKAWA Nordic AB
Torsås +46-480-417-800

SI YASKAWA Slovenia
Ribnica +386-1-8372-410

TR YASKAWA Turkey Elektrik
Ticaret Ltd. Sti.
İstanbul +90-216-5273450

ZA YASKAWA Southern Africa (PTY) Ltd
Johannesburg +27-11-6083182

DISTRIBUTORS

BG ARAMET ROBOTICS Ltd.
Yambol +359-885 317 294
Kammarton Bulgaria Ltd.
Sofia +359-02-926-6060

CH Messer Eutectic Castolin
Switzerland S.A.
Dällikon +41-44-847-17-17

DK Robotcenter Danmark
Løsning +45 7022 2477

EE RKR Seadmed OÜ
Tallinn/Estonia +372-68-35-235

GR Gizelis Robotics
Nea Kifissia +30-2106251455

HU Flexman Robotics Kft
Budapest +36-30-9510065

LT Profibus UAB
Panevezys +370-45-518575

NO Skala Robotech AS
Lierstranda +47-32240600

PT ROBOPLAN Lda
Aveiro +351-234 943 900

RO Sam Robotics srl
Timisoara +40-720-279-866
MPL Automation S.R.L.
Satu Mare +40 (0) 261 750 741

